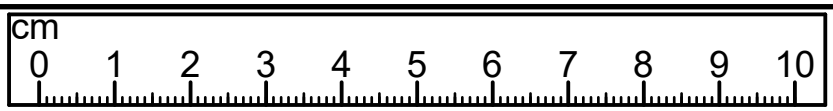
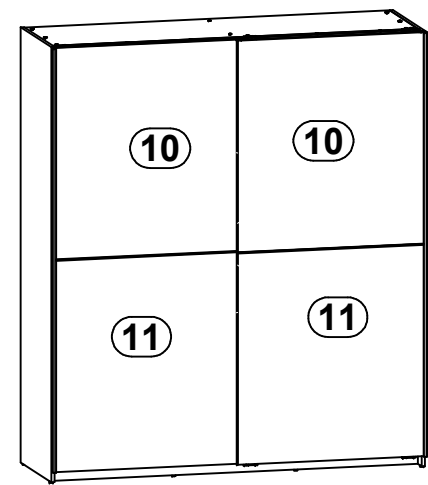
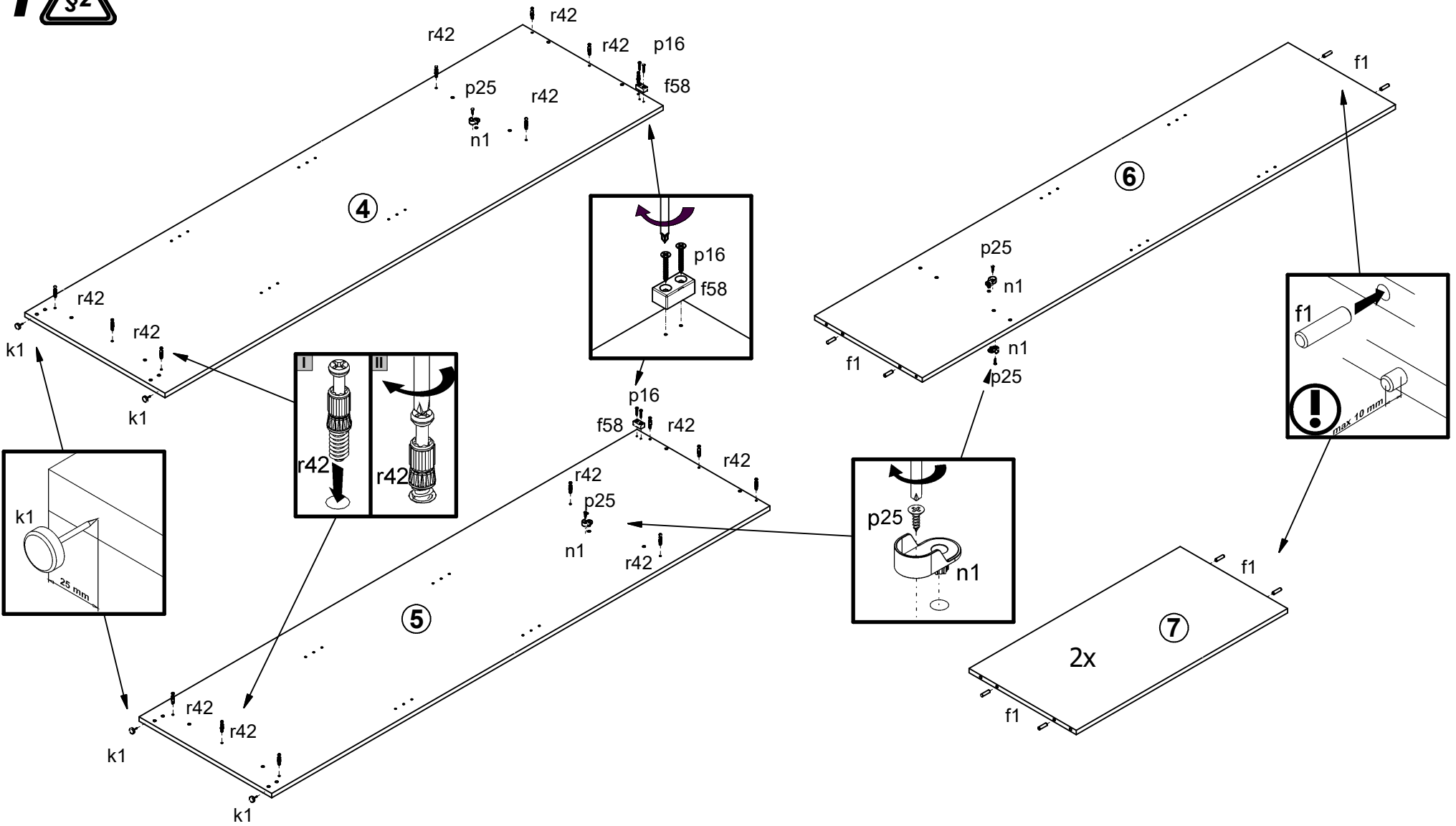


A	B	C (mm)			D
1	F27-405	1669	66	15	2/3
2	F27-406	1669	66	15	2/3
3	F27-902	1878	847	2,5	1/3
4	F52-101	1950	549	15	1/3
5	F52-102	1950	520	15	1/3
6	F52-103	1853	421	15	1/3
7	F52-301	827	420	15	2/3
8	F52-302	1669	519	15	2/3
9	F52-303	1669	504	15	2/3
10	F52-507	861	950	15	3/3
11	F52-508	861	950	15	3/3
12	dr-821	821	22	15	2/3

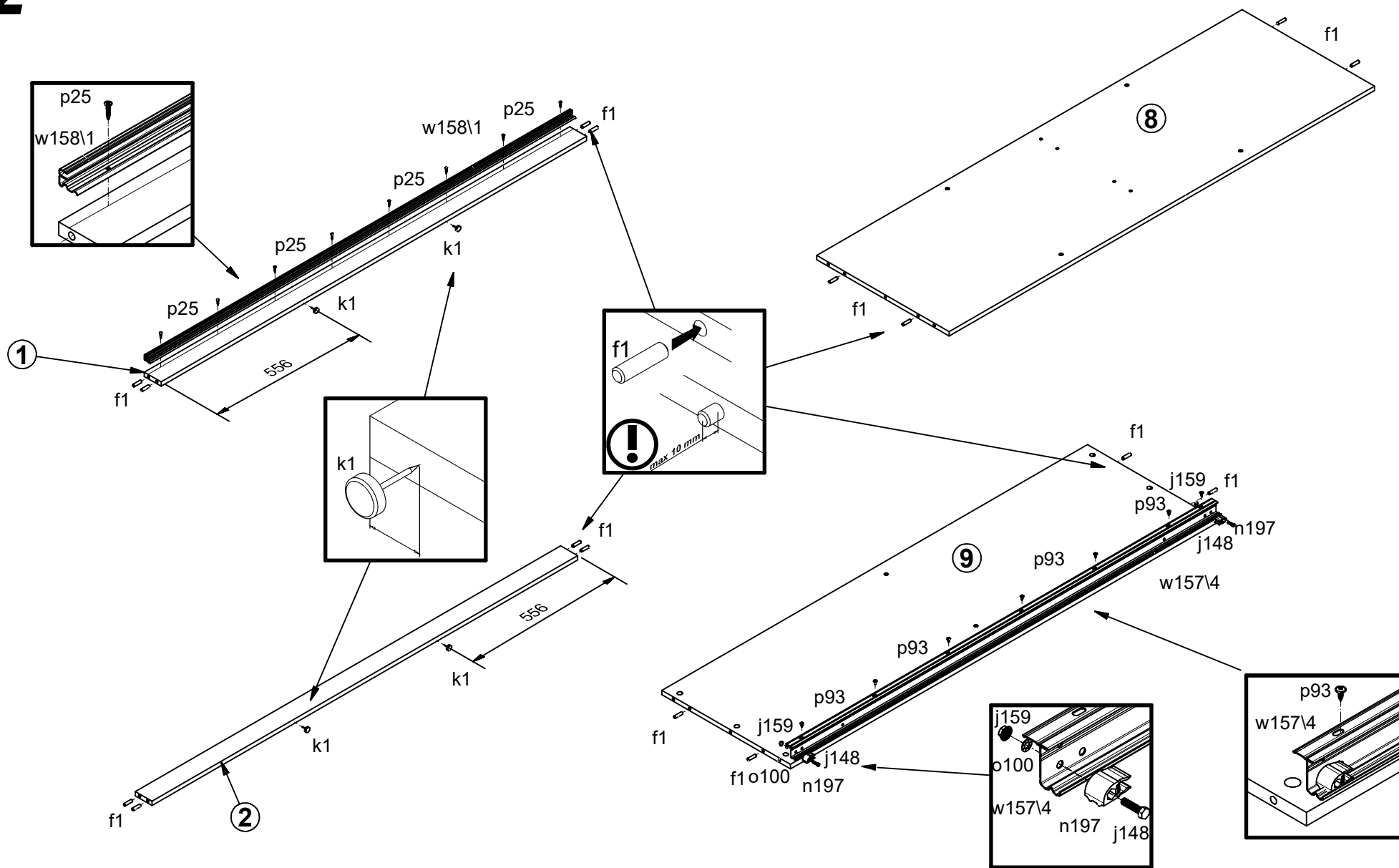


8x Ø7x50 mm e1	28x Ø8x30 mm f1	2x Ø10x50 mm f35	2x f58	2x M5x20 mm j148	2x M5 j159	8x k1	85x 1.4x20 mm l1	4x h=22mm n1	9x 22x9.5x20.7 mm n108	2x 56x21x15/1.5 n141,2	2x n194	
2x n195	1x n196	2x n197	2x n198	2x n199	4x n76	2x Ø5x210 o100	4x Ø3.5x25 mm p16	2x Ø5x60 mm p17	17x Ø4x16 mm p19	12x Ø3.5x16 mm p25	4x Ø3.5x16 mm p38	9x Ø2.9x16 mm p55
79x Ø4x13 mm p93	20x Ø15x12 mm #16 r1	2x r10	16x 20/12 r42	2x L=1900 mm w1181,3	2x L=1900 mm w1181,4	1x L=1668 mm w1571,4	1x L=1668 mm w1581,4	4x s1	8x Ø16 s2	1x 4 mm z1		



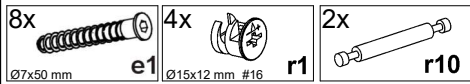
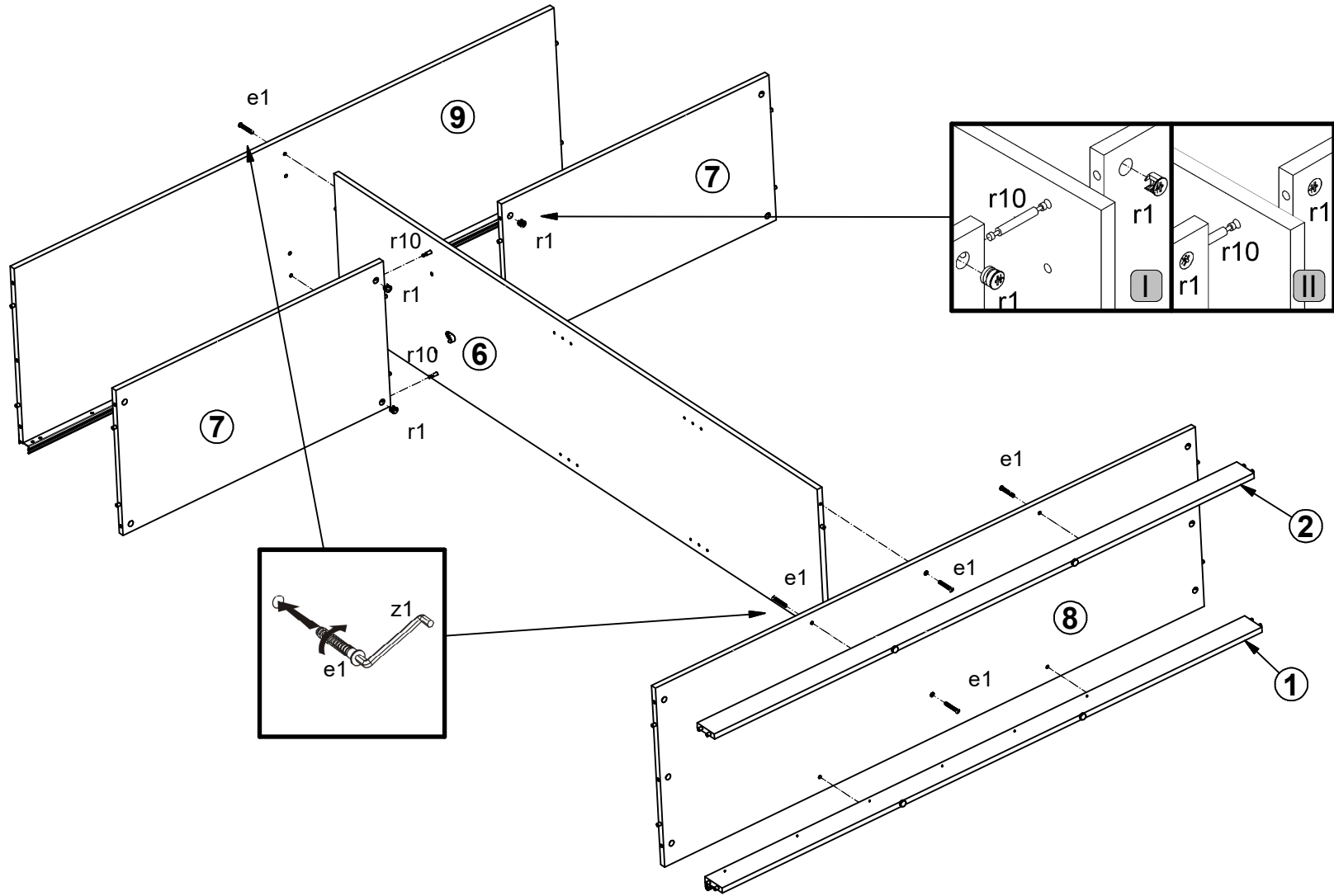
- 12x  
Ø8x30 mm  
f1
- 2x  
f58
- 4x  
k1
- 4x  
h=22mm  
n1
- 4x  
Ø3,5x25 mm  
p16
- 4x  
Ø3,5x16 mm  
p25
- 16x  
20/11  
r42

2

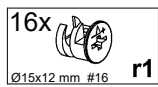
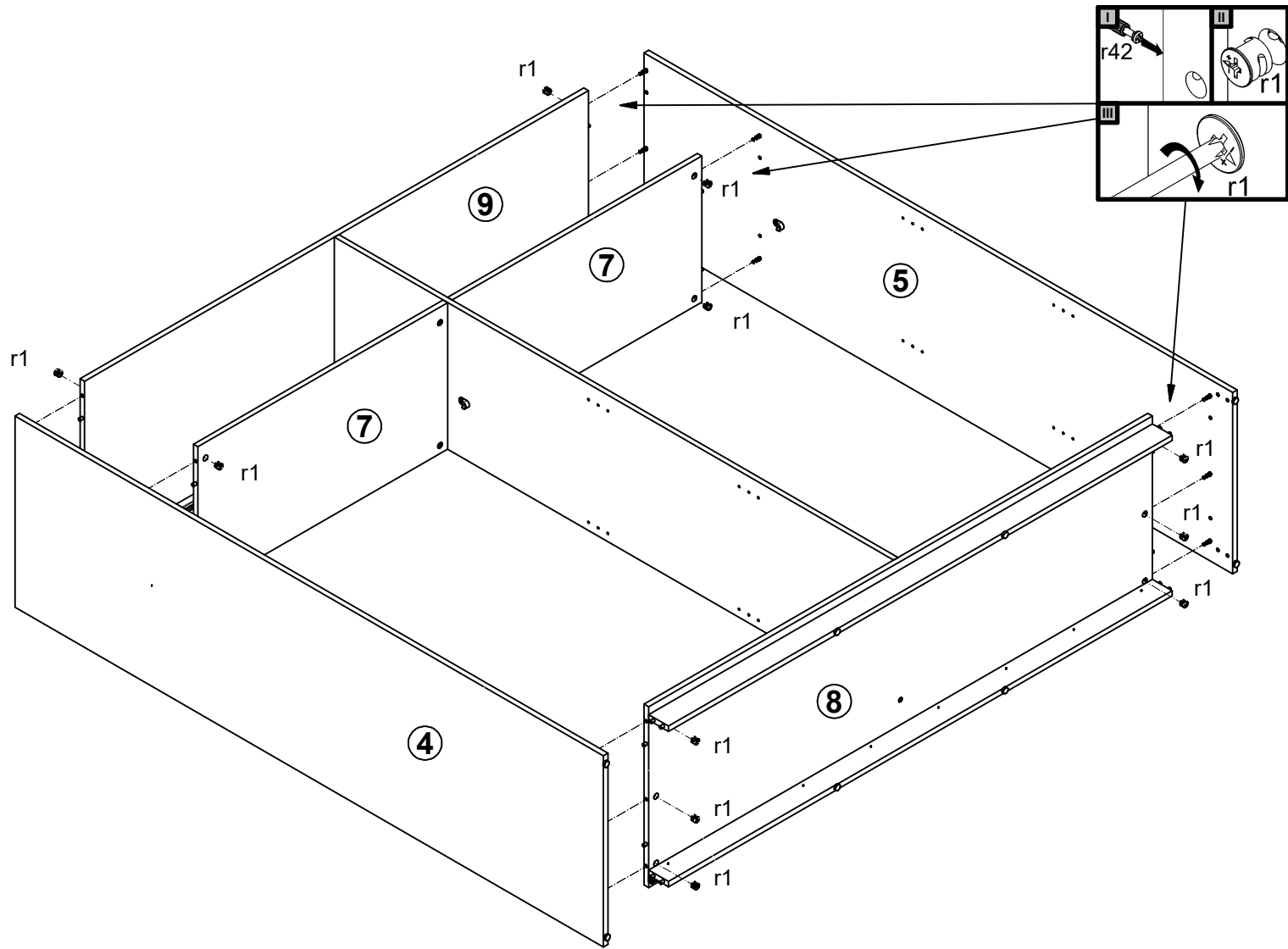


- |                       |          |            |                        |                  |                      |                         |                       |                          |                         |
|-----------------------|----------|------------|------------------------|------------------|----------------------|-------------------------|-----------------------|--------------------------|-------------------------|
| 16x<br>Ø8x30 mm<br>f1 | 4x<br>k1 | 2x<br>n197 | 2x<br>M5x20 mm<br>j148 | 2x<br>MS<br>j159 | 2x<br>Ø5xØ10<br>o100 | 8x<br>Ø3.5x16 mm<br>p25 | 7x<br>Ø4x13 mm<br>p93 | 1x<br>L-1668 mm<br>w1574 | 1x<br>L-1668mm<br>w1581 |
|-----------------------|----------|------------|------------------------|------------------|----------------------|-------------------------|-----------------------|--------------------------|-------------------------|

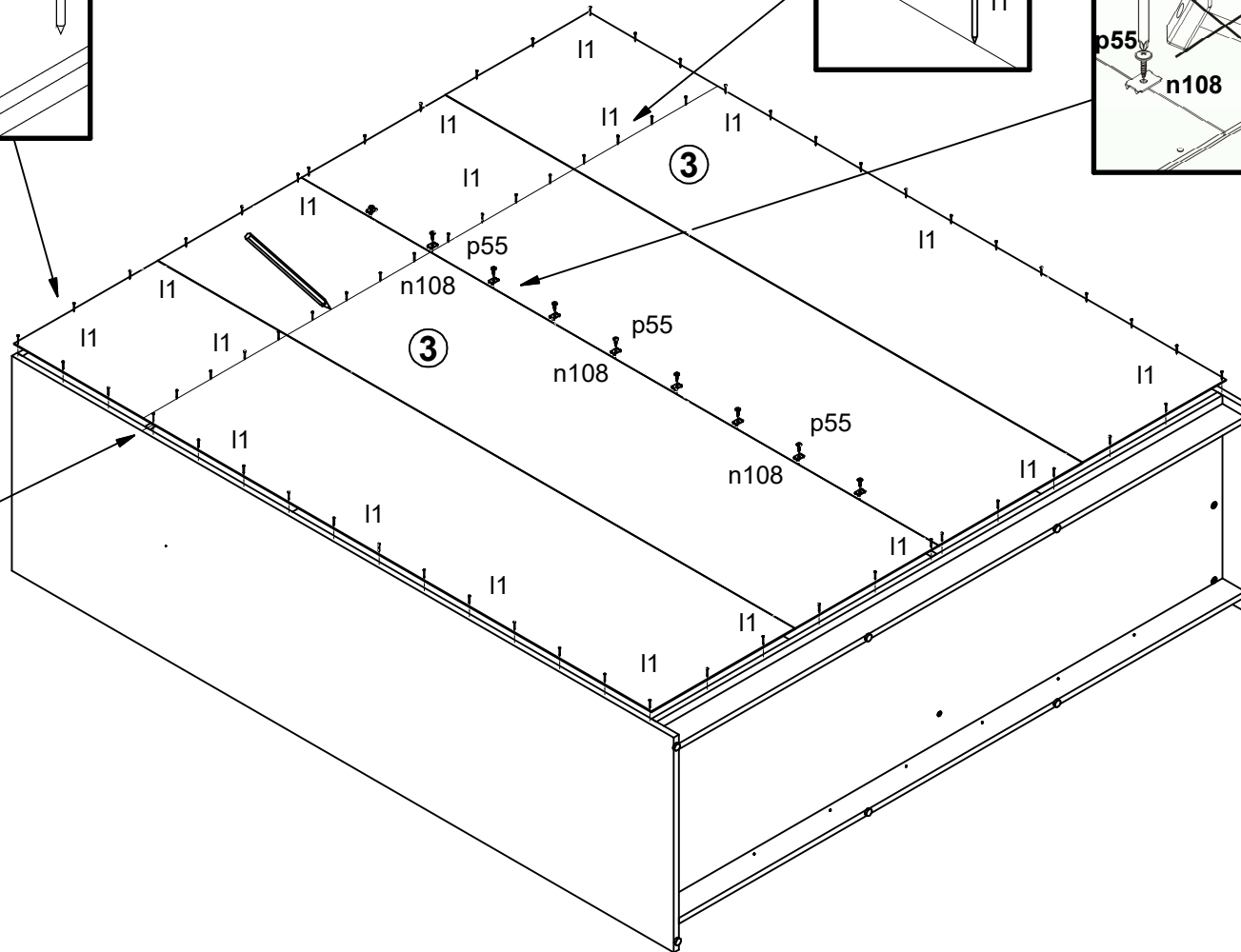
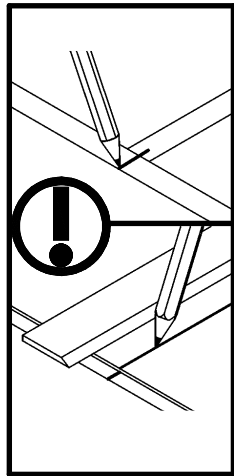
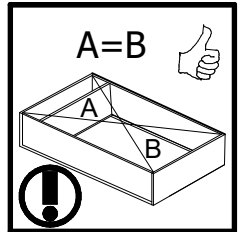
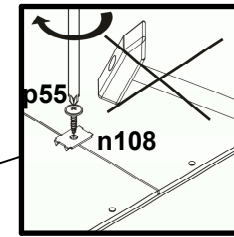
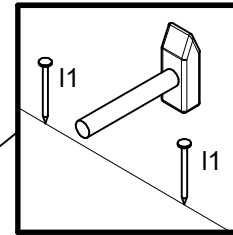
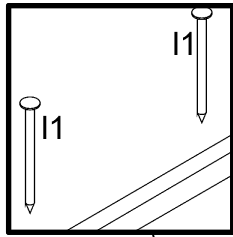
# 3






4

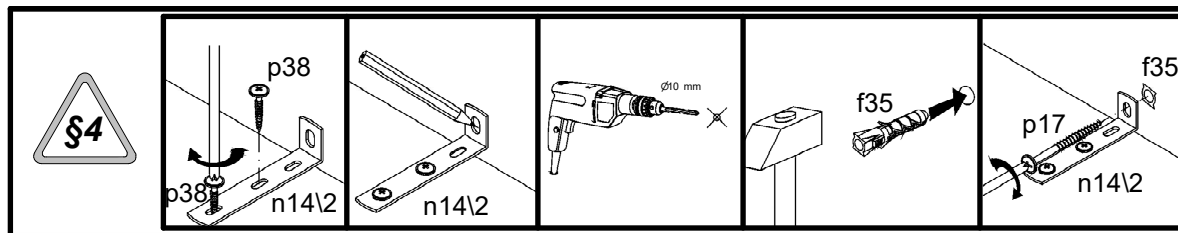
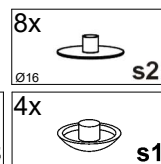
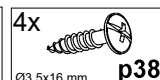
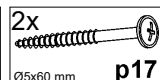
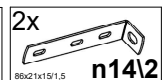
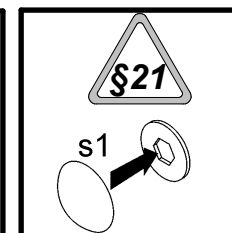
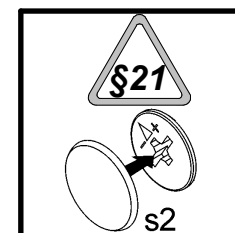
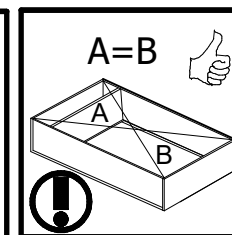
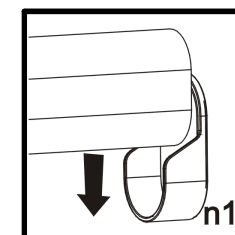
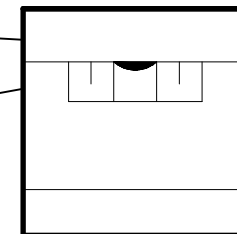
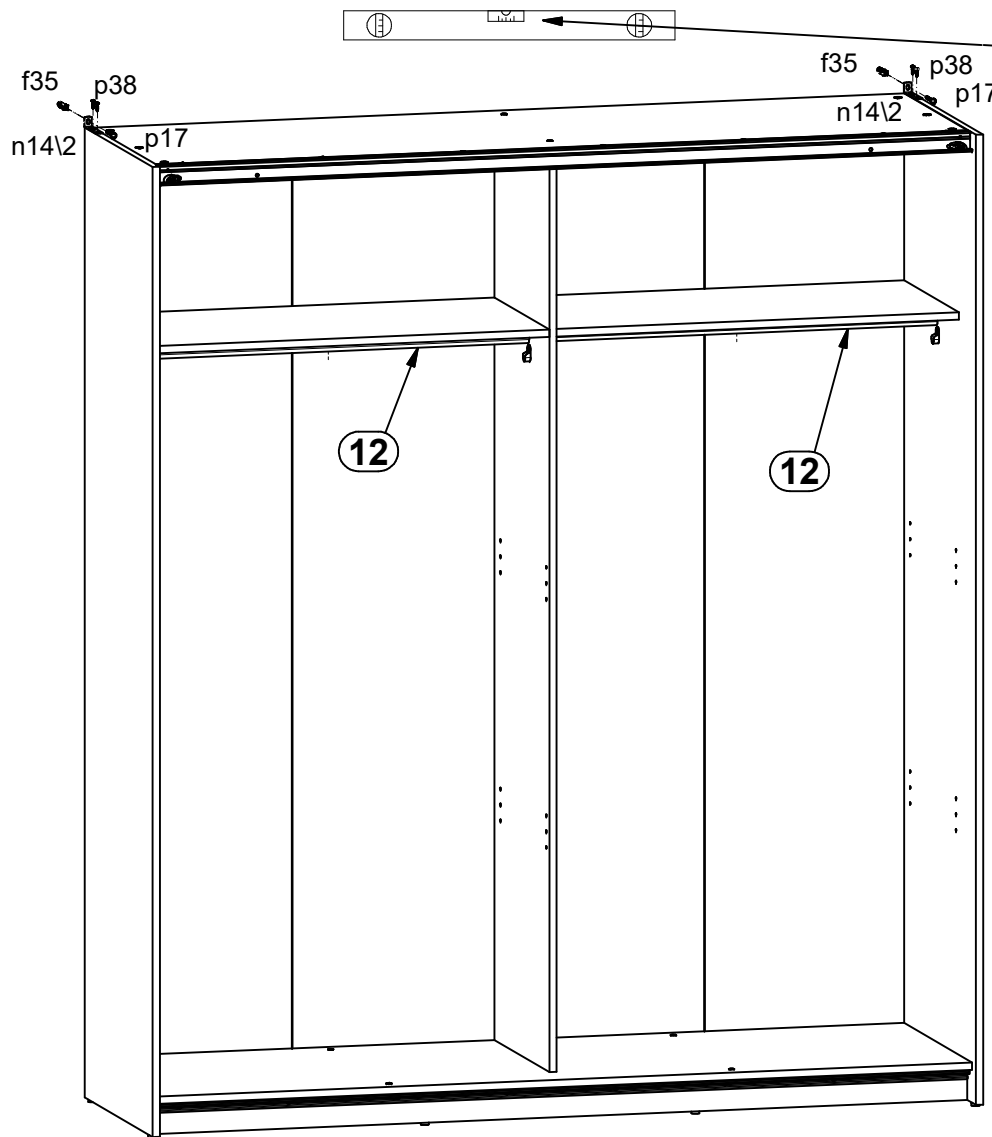


5



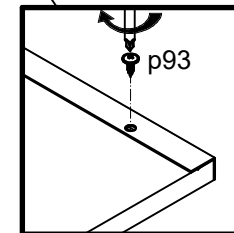
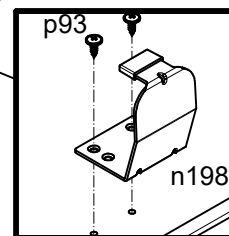
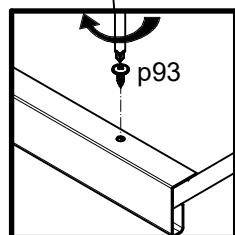
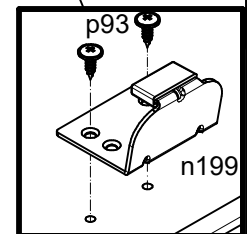
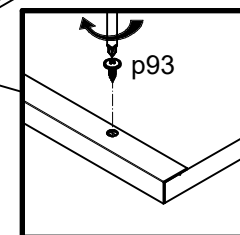
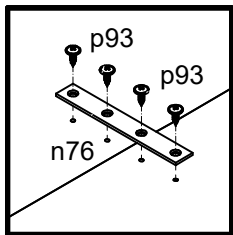
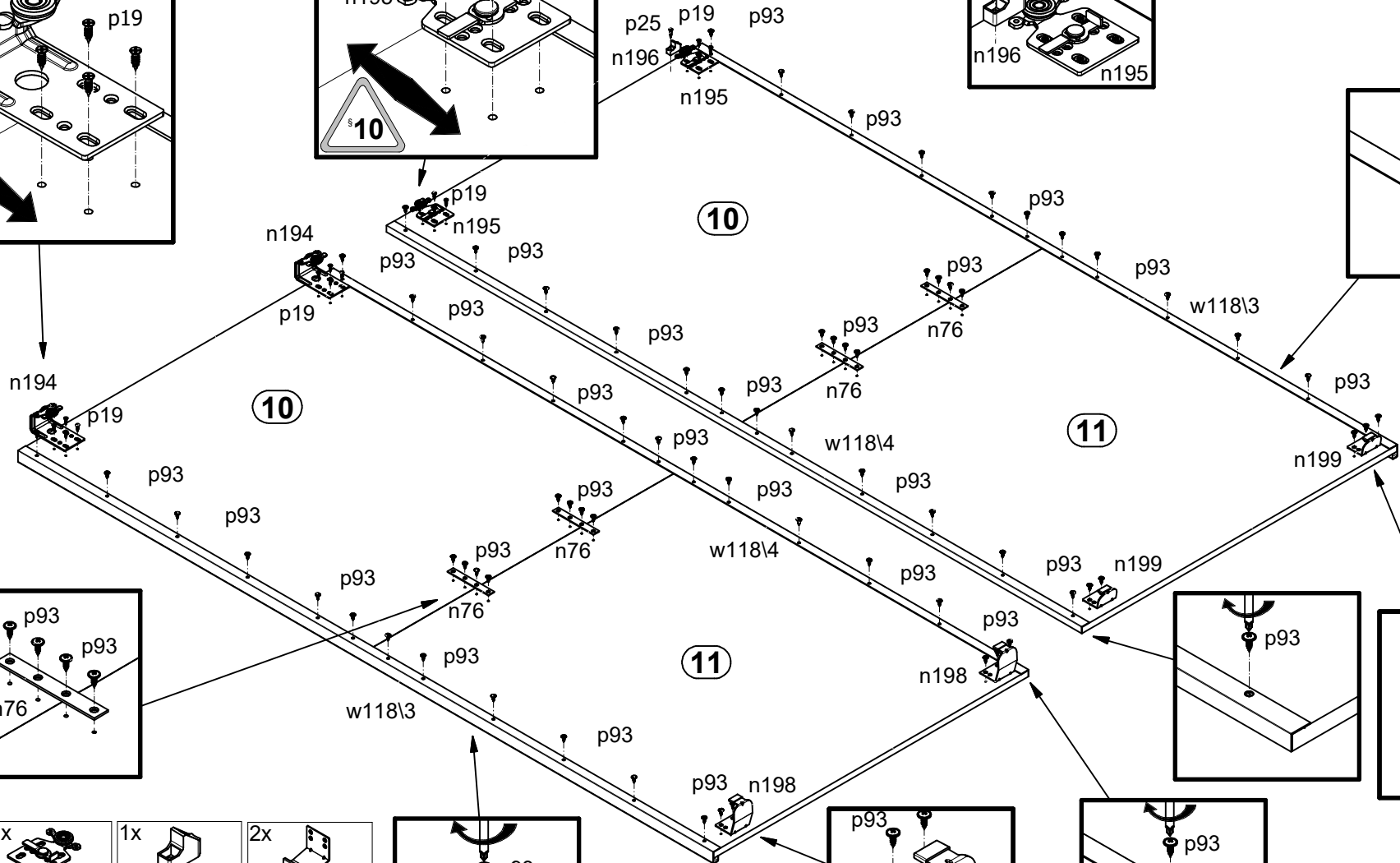
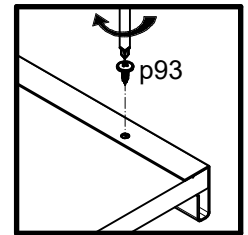
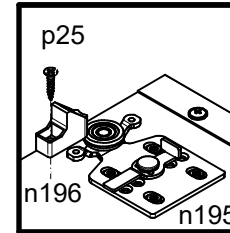
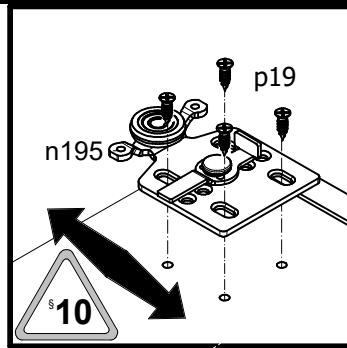
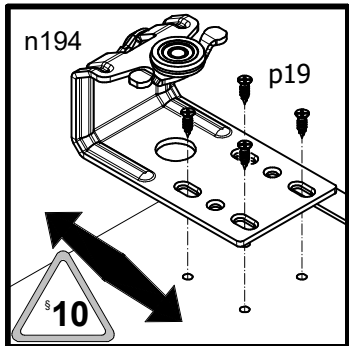
- 85x  l1  
1.4x20 mm
- 9x  n108  
22x9.5x20,7 mm
- 9x  p55  
Ø2,9x16 mm

# 6



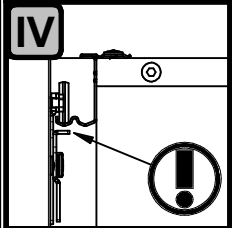
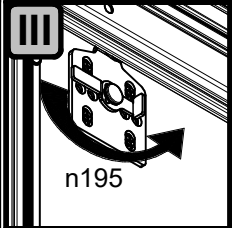
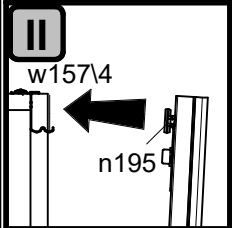
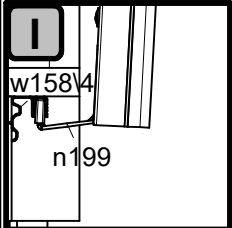
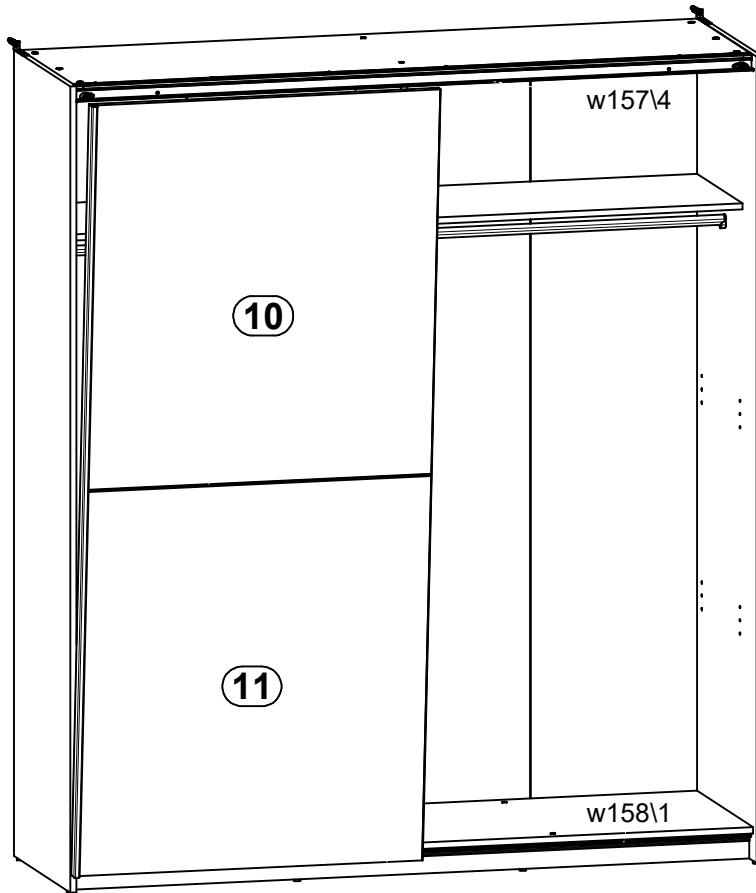


7



2x  n194	2x  n195	1x  n196	2x  n198
2x  n199	4x  n76	16x  p19 Ø4x16 mm	1x  p25 Ø3.5x16 mm
72x  p93 Ø4x13 mm	2x  w118/3 L=1900 mm	2x  w118/4 L=1900 mm	

8



9

