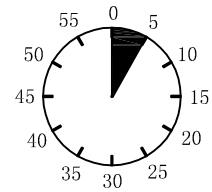
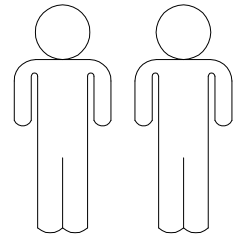
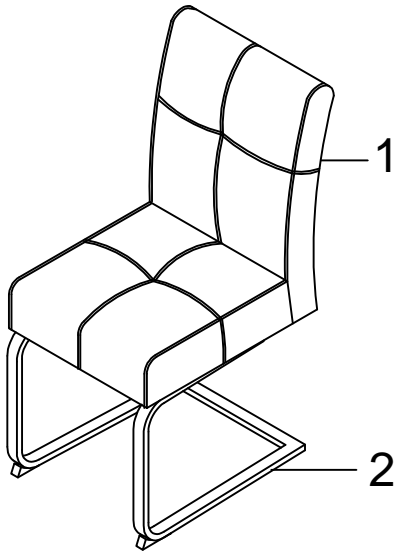
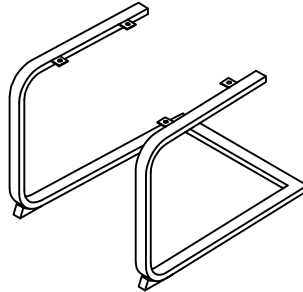
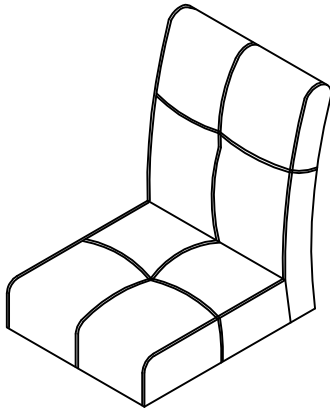


Luise



1

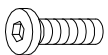
2



1	1X
2	1X

A

M6*20



4X

B

Ø18*Ø6.5*1.5



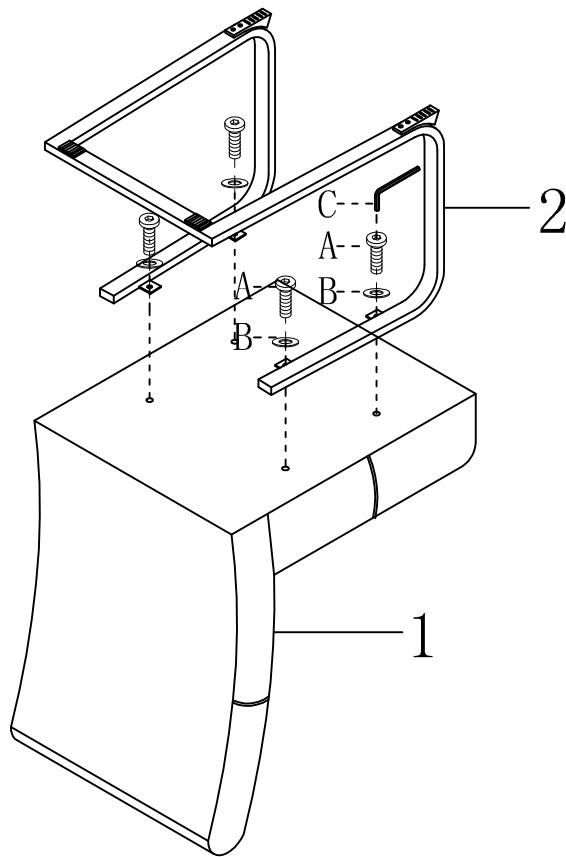
4X

C

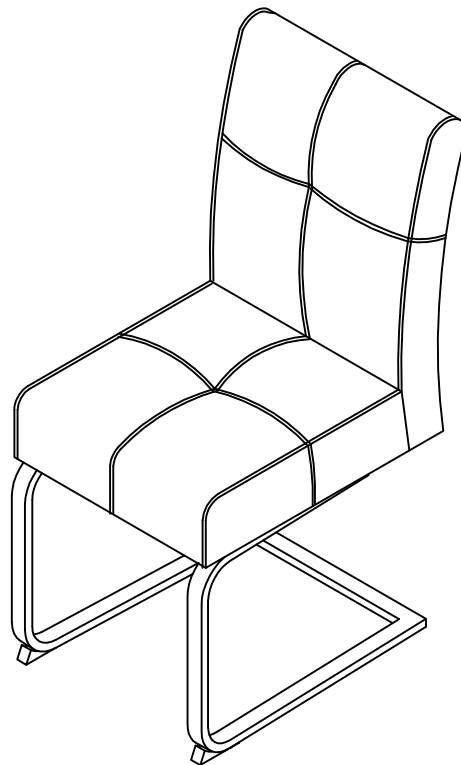
4mm



1X



- A M6*20
4X
 - B $\text{Ø}18 \times \text{Ø}6.5 \times 1.5$
4X
 - C 4mm
1X
- 75%



- C 4mm
1X
- 100%

